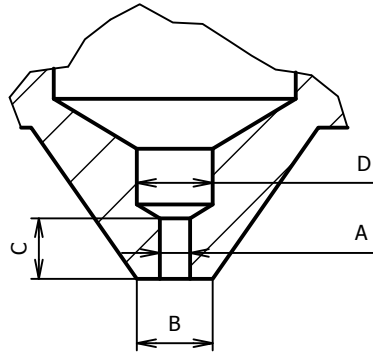
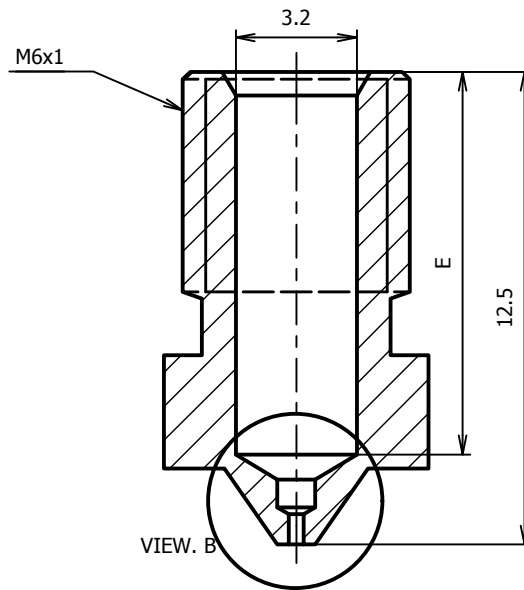


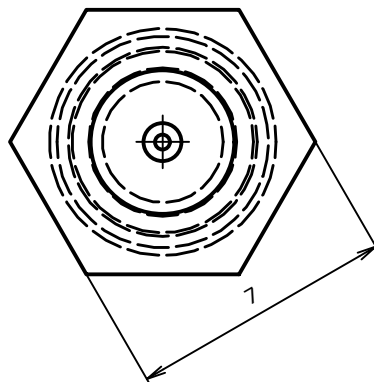
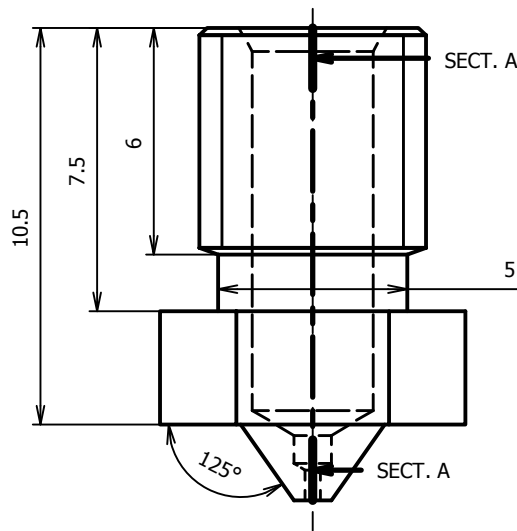
VIEW. B ( 10 : 1 )



SECT. A-SECT. A ( 5 )




| TABLE |      |      |     |      |
|-------|------|------|-----|------|
| A     | B    | C    | D   | E    |
| 0.25  | 0.63 | 0.50 | 1.0 | 10.1 |
| 0.30  | 0.75 | 0.60 | 1.0 | 10.1 |
| 0.35  | 0.88 | 0.70 | 1.0 | 10.1 |
| 0.40  | 1.00 | 0.80 | 1.5 | 10.1 |
| 0.60  | 1.50 | 1.20 | 3.2 | N/A  |
| 0.80  | 2.00 | 1.60 | 3.2 | N/A  |



THIRD ANGLE PROJECTION  
 ALL DIMENSIONS IN MM  
 MATERIAL: Brass (as v5)  
 SCALE: 5:1  
 SURFACE FINISH: UNFINISHED UNLESS STATED



This work is licensed under a Creative Commons Attribution-NonCommercial-ShareAlike 3.0 Unported License.

|   |            |                         |              |                |
|---|------------|-------------------------|--------------|----------------|
| Designed by<br>E3D Online - JR  | Checked by | Approved by             | Date         | Date           |
|  E3D-Online |            | E3D v6 Nozzles 3.00-ALL |              |                |
|   |            | V6.3 NOZZLE-300         | Edition<br>3 | Sheet<br>1 / 1 |