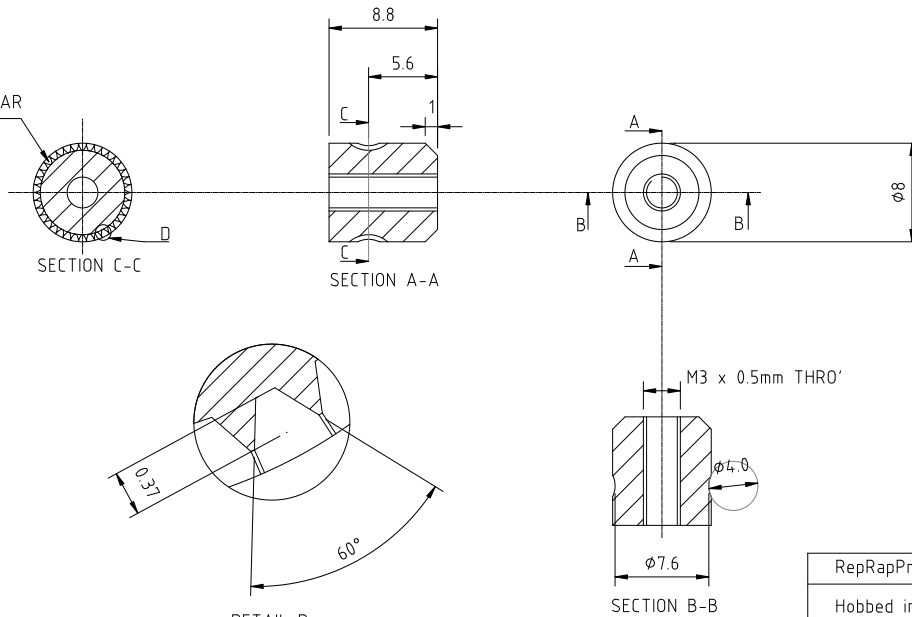


HOBBED TEETH - 38 OFF
M4 TOOTH PROFILE OR SIMILAR



RepRapPro Ltd	Rev 1.0
Hobbed insert	
Material: Steel	
All Dimensions mm u.o.s.	
Tolerance ±0.1 u.o.s.	

Drawn: Jan-13	Author JMG
---------------	------------